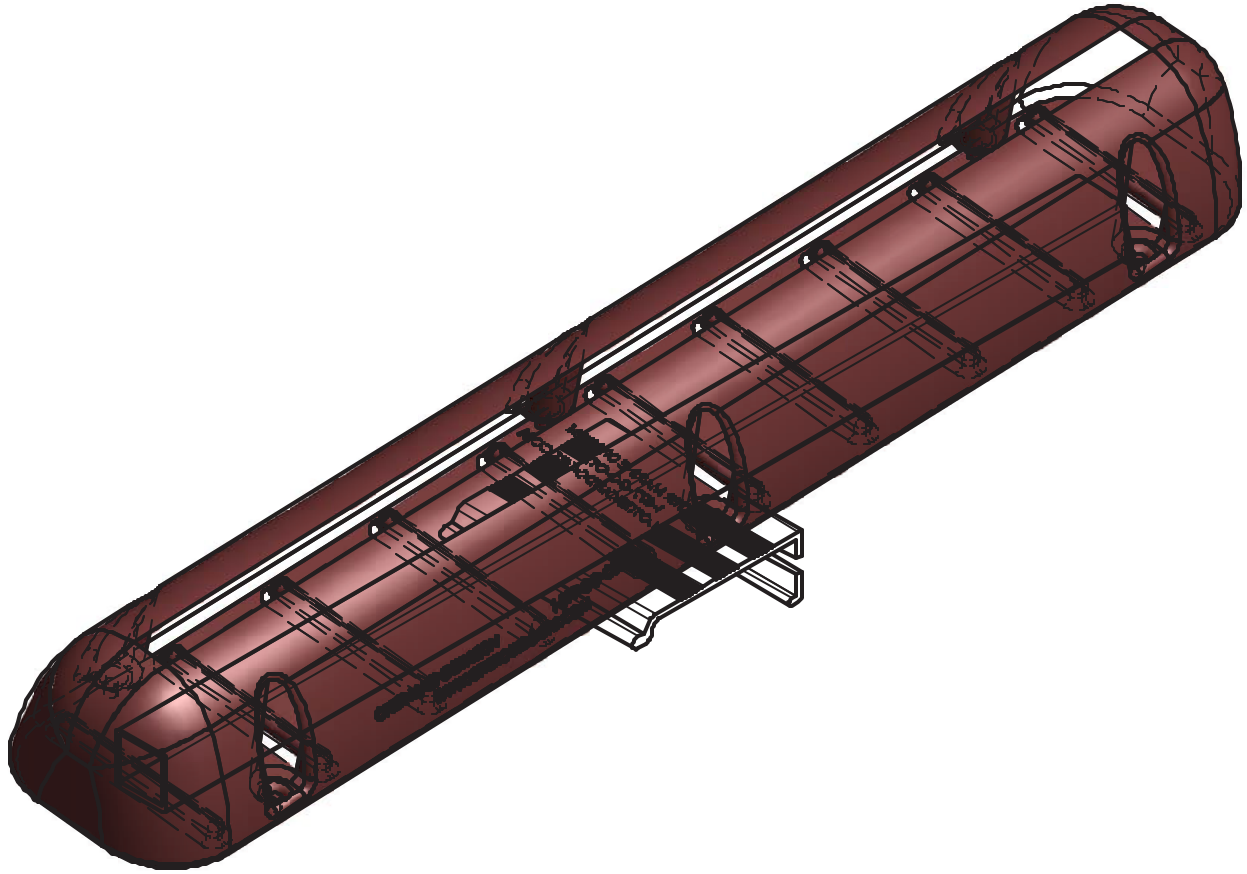
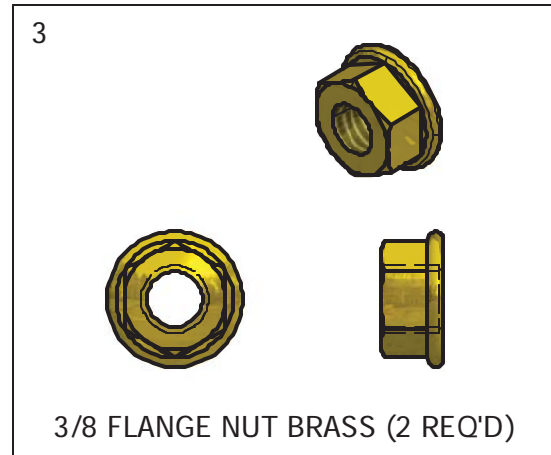
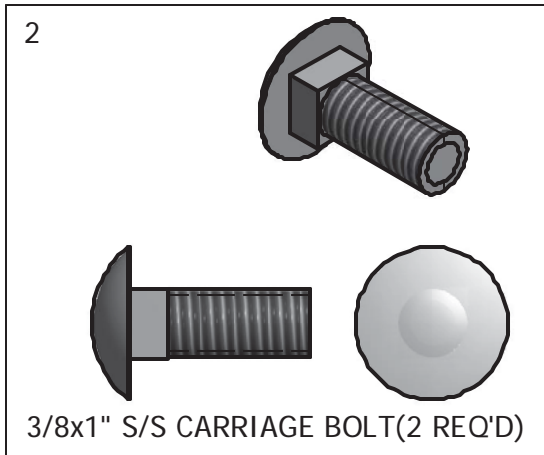




Stationary Vertical Bumper



PARTS LIST			
ITEM	QTY	PART NUMBER	DESCRIPTION
1	1	VM-076-00	VERTICAL BUMP
2	2	HD-00059	3/8 X 1" S/S CARRIAGE
4	2	HD-00056	3/8 BRASS FLANGE NUT



To insure your safety while assembling your Voyager product:

- Fully read and understand the assembly instructions
- Do not assemble this product if items are missing or damaged
- Wear protective gloves, clothing and eye wear when assembling this product
- Check tightness of all hardware each year to avoid injury

Installation procedure

The following tool will be needed: 9/16" wrench

1. Insert head of carriage bolt into raceway on the underside of dock rail and slide to desired location on dock. **Per diagram A.**
2. Slide bracket into dock rail, put carriage bolts into bracket and attach flange nuts. **Per diagram B.**
3. Take 9/16" wrench and tighten flange nuts.

DIAGRAM A

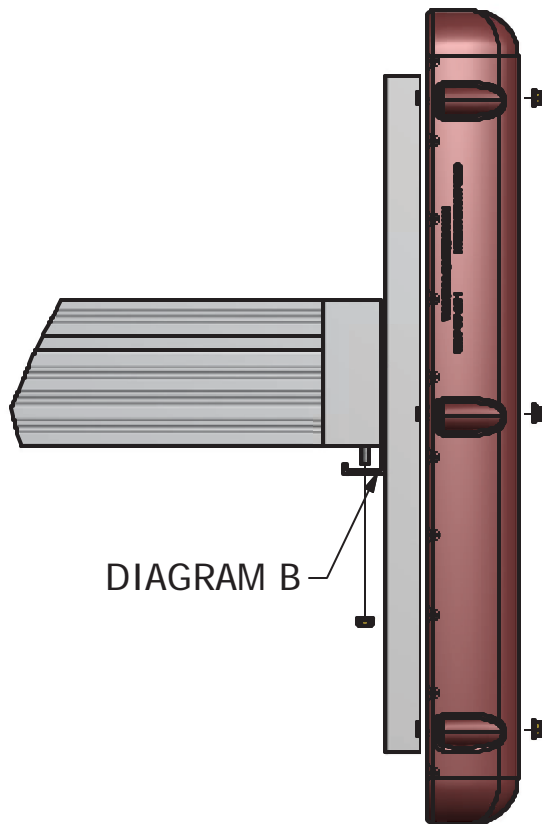
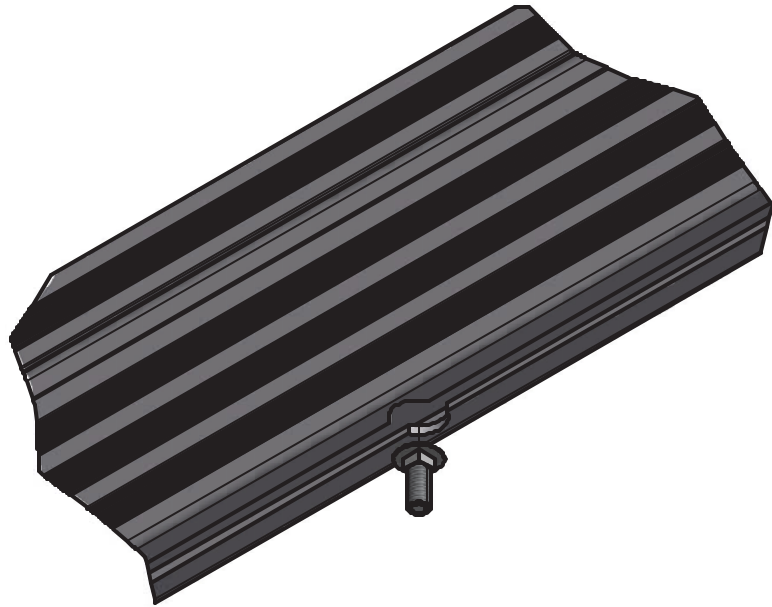


DIAGRAM B