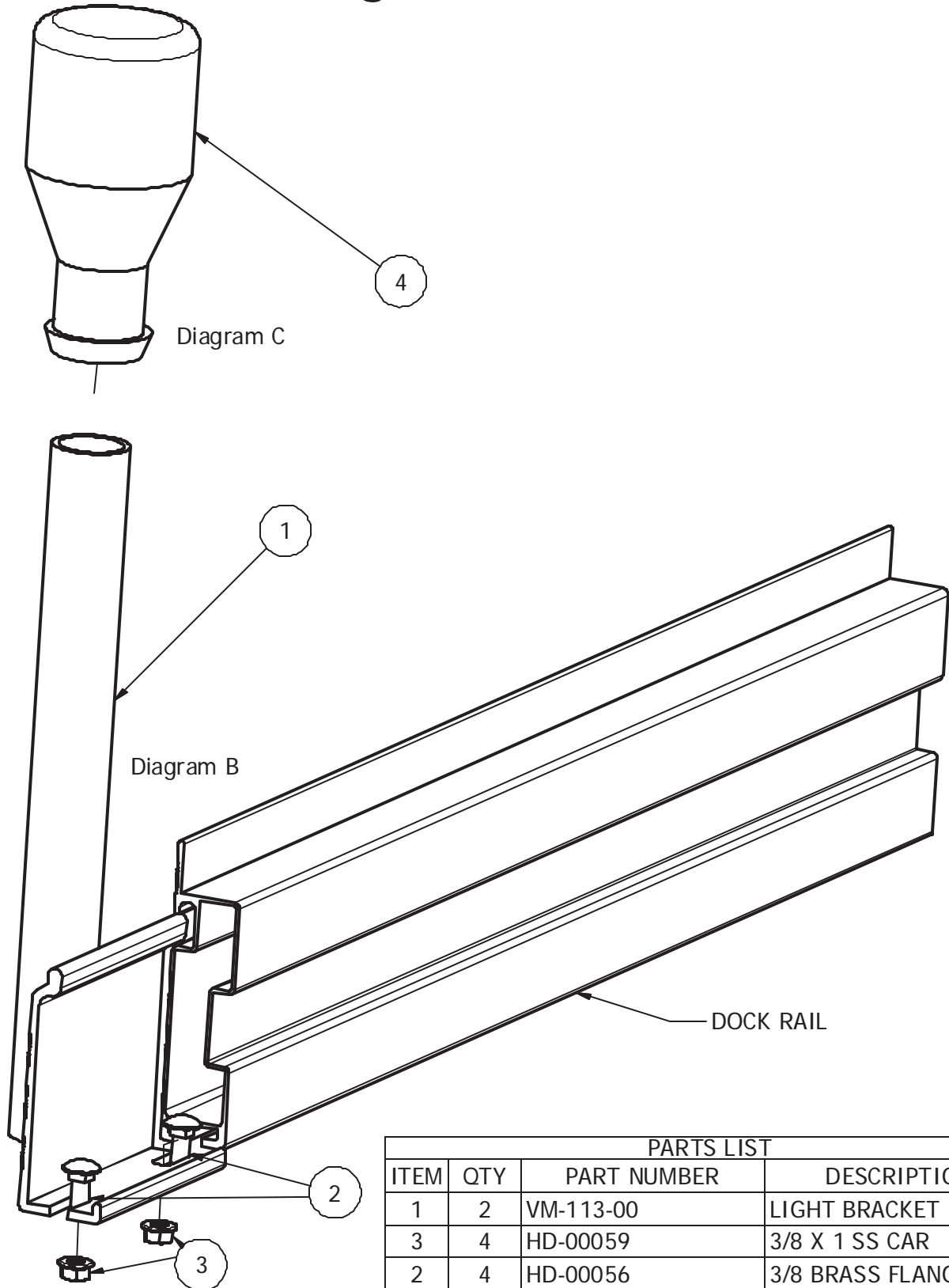
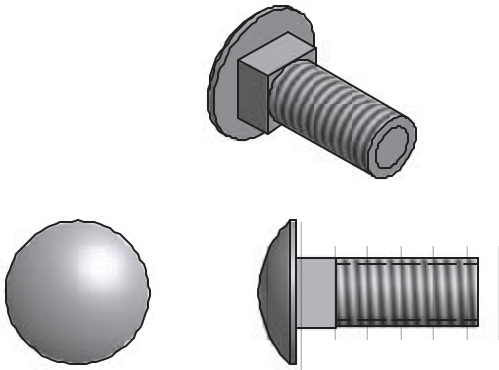


Light Holder



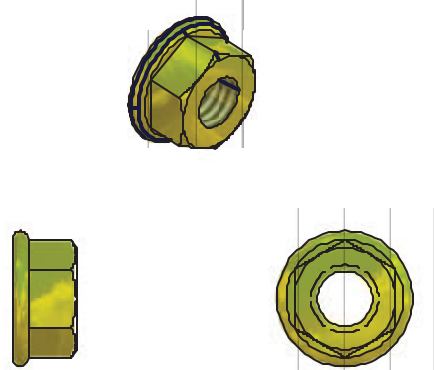
PARTS LIST			
ITEM	QTY	PART NUMBER	DESCRIPTION
1	2	VM-113-00	LIGHT BRACKET
3	4	HD-00059	3/8 X 1 SS CAR
2	4	HD-00056	3/8 BRASS FLANGE NUT
4	2	VM-113-01	2X DOCK LIGHT

2



3/8 X 1 S.S. CARRIDGE BOLT (4 REQ'D)

3



3/8 FLANGE NUT BRASS (4 REQ'D)

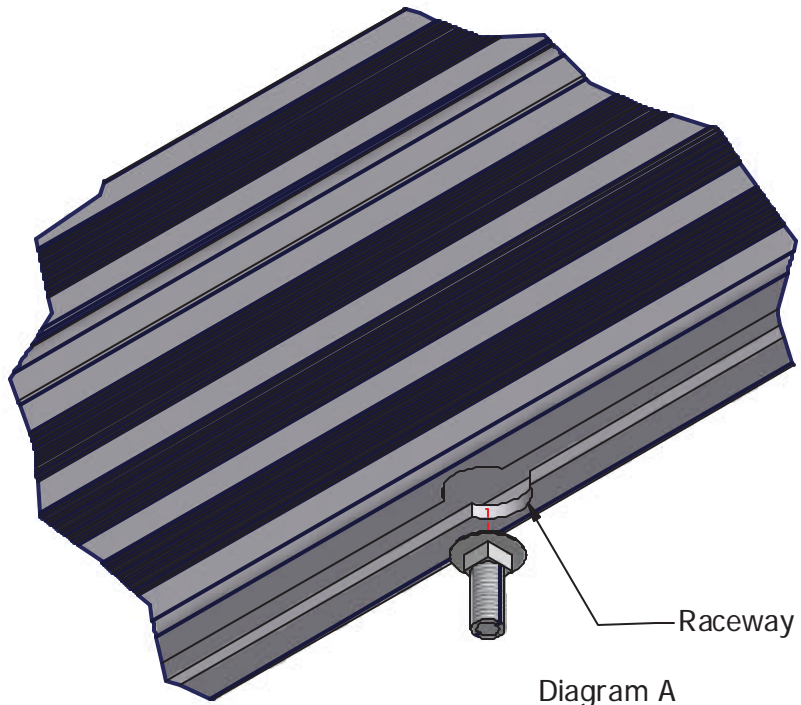


Diagram A

To insure your safety while assembling your Voyager product:

- Fully read and understand the assembly instructions
- Do not assemble this product if items are missing or damaged
- Wear protective gloves, clothing and eye wear when assembling this product

Installation procedure

The following tool will be needed: 9/16" wrench

1. Insert head of carriage bolts into raceway on the underside of the rail and slide to desired location on dock. **Per diagram A.**
2. Slide bracket into dock rail and put carriage bolts into bracket and attach flange nuts. **Per diagram B.**
3. Take 9/16" wrench and tighten flange nut.
4. Take light and slide onto light bracket. **Per diagram C.**
5. Repeat steps 1-4 for other light