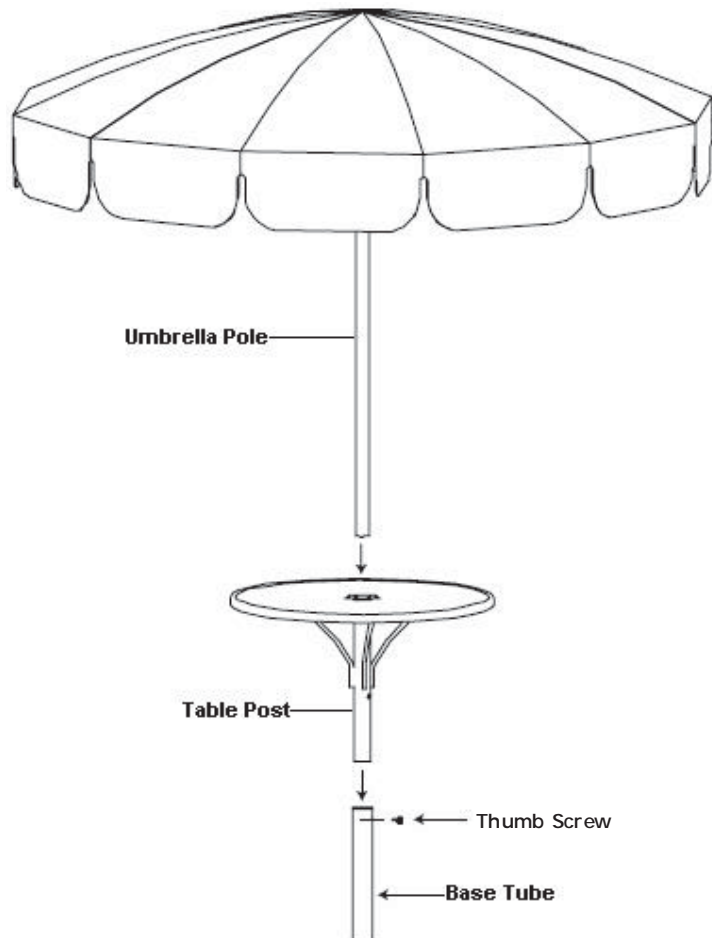




Table/Umbrella Assembly Instructions



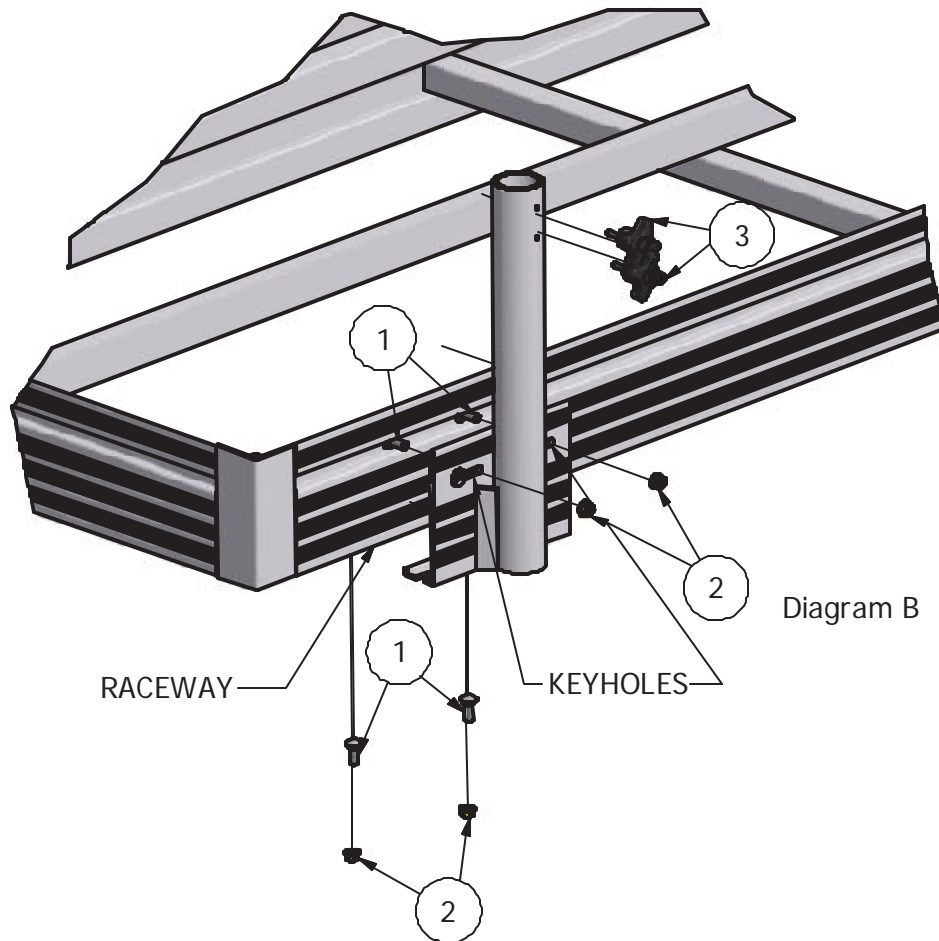
Table

1. Insert table post into base tube until it stops. It will rest on the end of the table braces.
2. Rotate table until the hole in the table post and the threaded hole in the base tube are aligned.
3. Insert a thumb screw into each of the threaded holes. Top thumb screw is for optional umbrella. Hand tighten to keep the table from moving.

Umbrella (optional)

1. Tighten the top thumb screw only until it engages the hole in the table base.
2. Slide the umbrella pole into the hole in the table until the bottom of the umbrella pole hits the stop in the bottom of the table base.
3. Tighten top thumb screw against the umbrella pole. Carefully hand tighten until snug. Over tightening may crush the umbrella pole.

PARTS LIST			
ITEM	QTY	PART NUMBER	DESCRIPTION
1	4	HD-00059	3-8 X 1 SS CAR
2	4	HD-00056	3/8 BRASS FLANGE NUT
3	2	HD-00172	1/4 X 20 X 1" SS THUMBSCREW



The following tool will be needed: 9/16" wrench.

1. Insert two carriage bolts into the raceway on the underside of the rail at desired location of bracket. **(Diagram A)**
2. Place bracket at desired location ensuring that there is a carriage bolt on either side in the raceway. Slide each raceway carriage bolt into the ends of the slots on the bracket. Add a flange nut to each of the two carriage bolts and hand tighten.
3. Insert a carriage bolt into each of the two keyholes. Slide each carriage bolt to the end of the slots. Add a flange nut to each two carriage bolts and hand tighten. **(Diagram B)**
4. Tighten all nuts with wrench. Check tightness annually to ensure safety.

