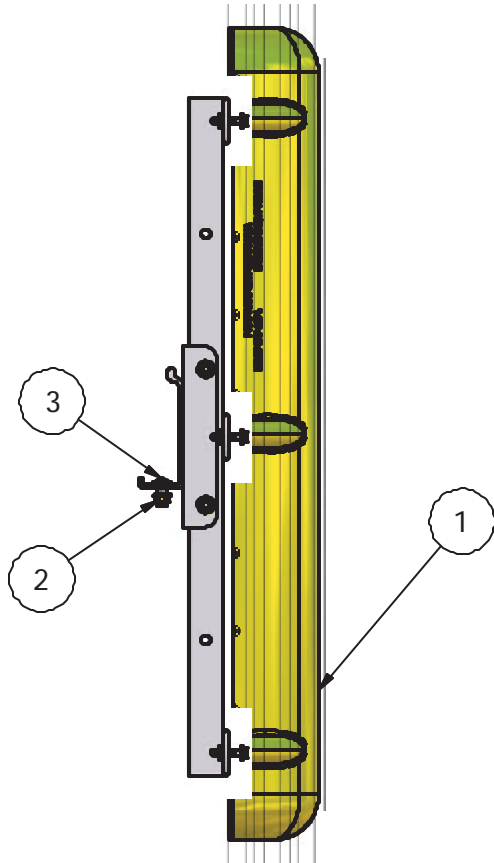
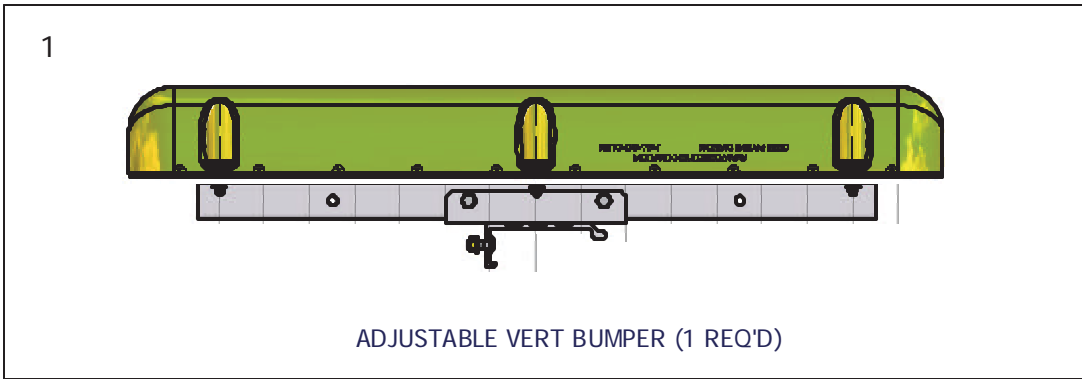
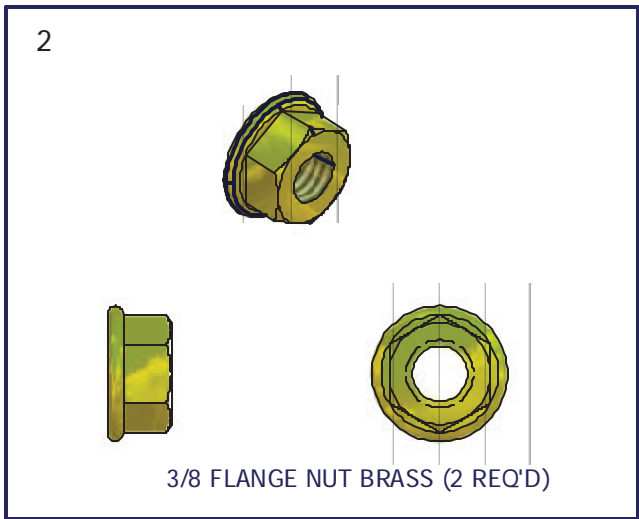
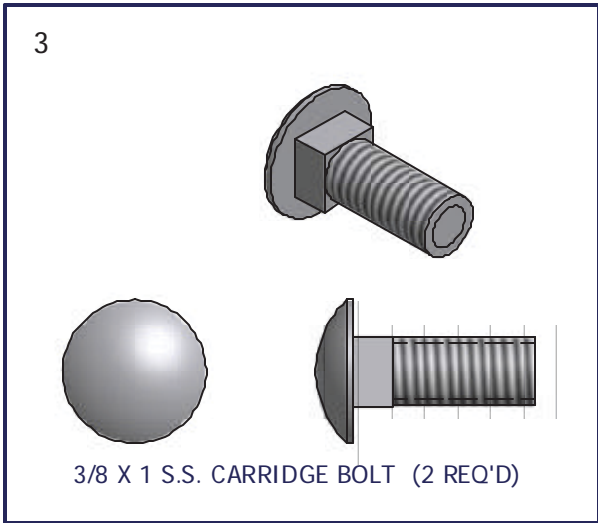




Adjustable Vert Bumper



PARTS LIST			
ITEM	QTY	PART NUMBER	DESCRIPTION
1	1	VM-076-0	36 VERT BUMPER
2	2	HD-00056	FLANGE NUT BRASS
3	2	HD-00059	3-8 X 1 SS CAR (S/S)



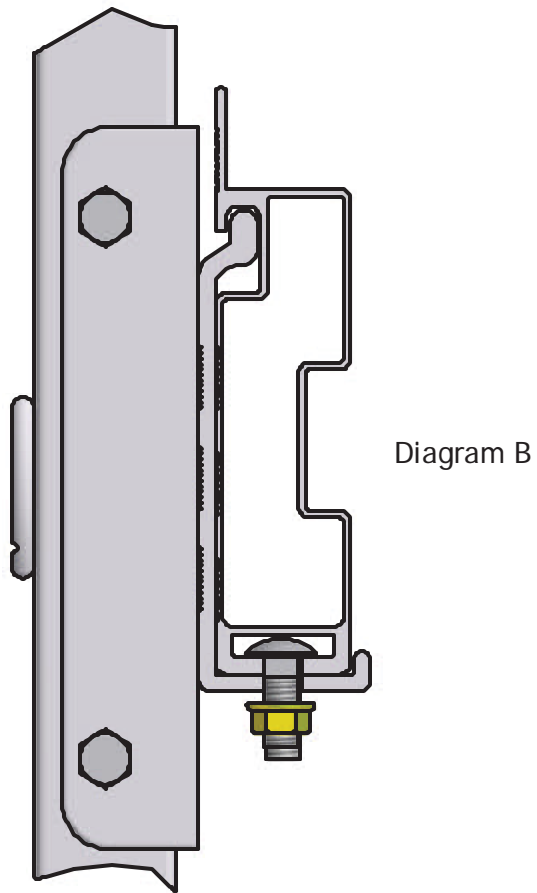
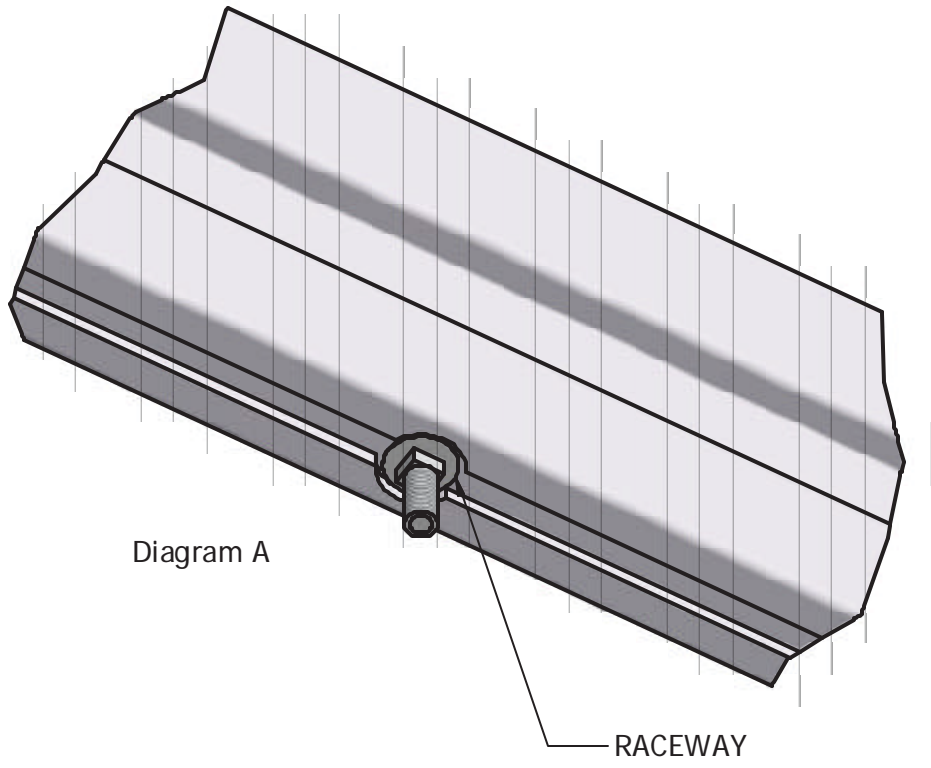
To insure your safety while assembling your Voyager product:

- Fully read and understand the assembly instructions
- Do not assemble this product if items are missing or damaged
- Wear protective gloves, clothing and eye wear when assembling this product

Installation procedure

The following tools will be needed : 2- 9/16" wrenches

1. Insert head of carriage bolt into raceway on the underside of dock rail and slide to desired location on dock. **Per diagram A.**
2. Slide bracket into dock rail, put carriage bolts into bracket and attach flange nuts. **Per diagram B.**
3. Take 9/16" wrench and tighten flange nuts.
4. If adjustment is needed for height of vertical bumper-loosen 2-3/8"x2 3/4" bolts and remove, adjust bracket to desired height- replace bolts, nuts and tighten. **Per diagram C.**



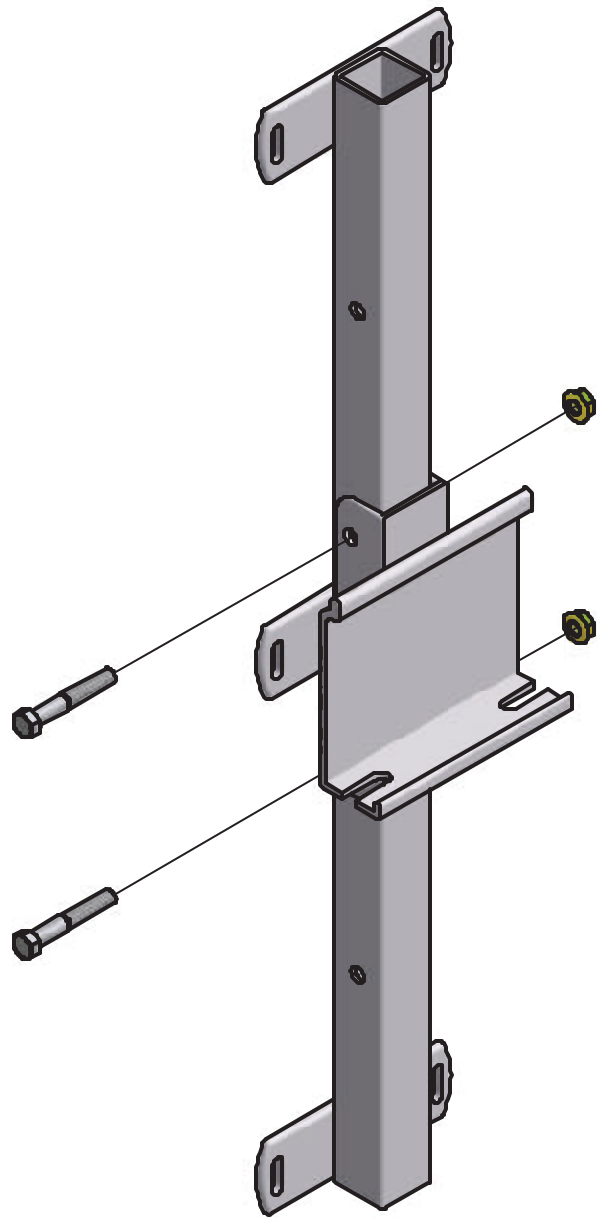


Diagram C