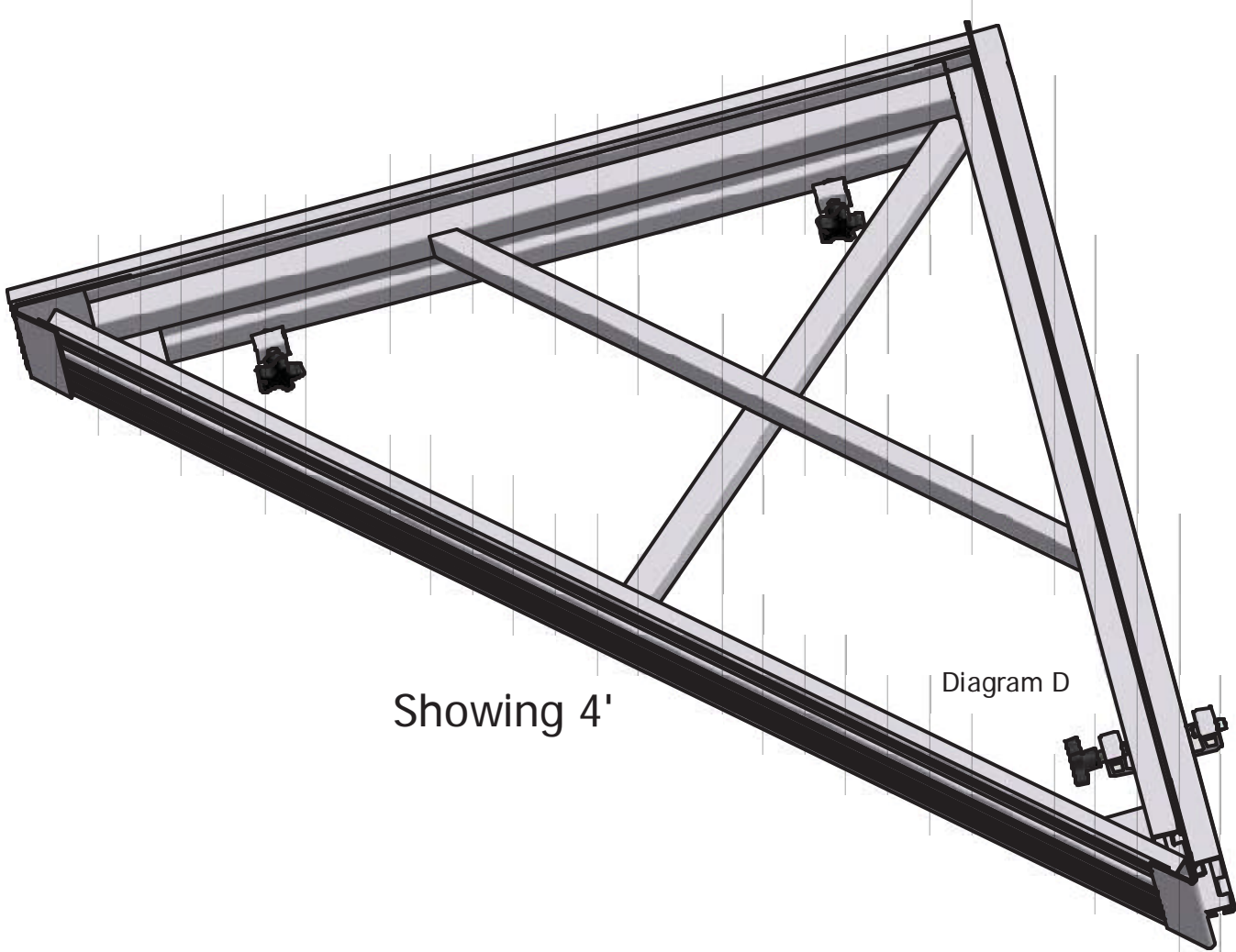


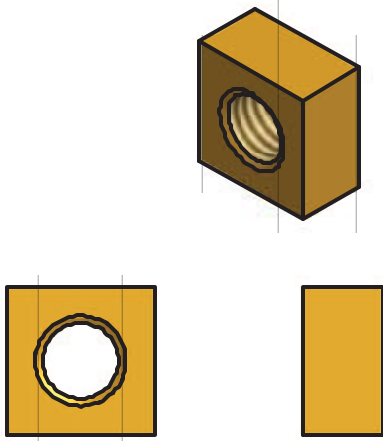


4 And 5 Corners



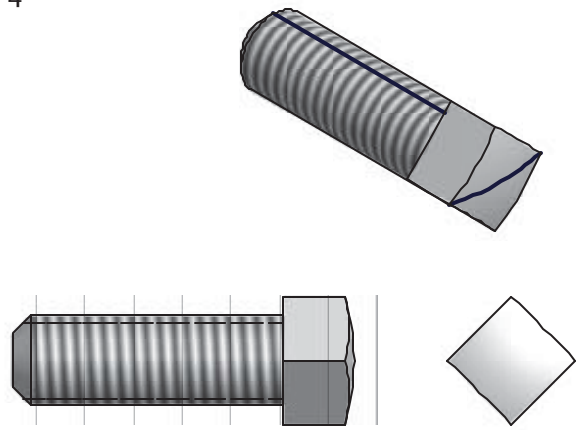
PARTS LIST			
ITEM	QTY	PART NUMBER	DESCRIPTION
1	1	VM-022 A	CORNER FRAME
2	3	VM-112	DOCK BRACKET
3	6	HD-00058	1/2 SQ NUT BRASS
4	3	HD-00060	1/2 X 1 1/4 SQ HEAD BOLT S/S
5	3	HD-00159	5 PRONG KNOB

3



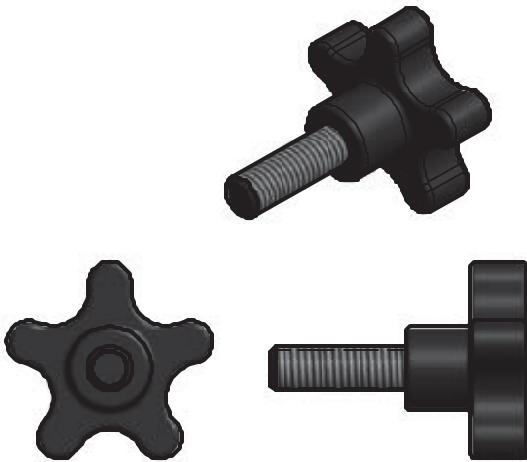
1/2 SQ. NUT BRASS (6 REQ'D)

4



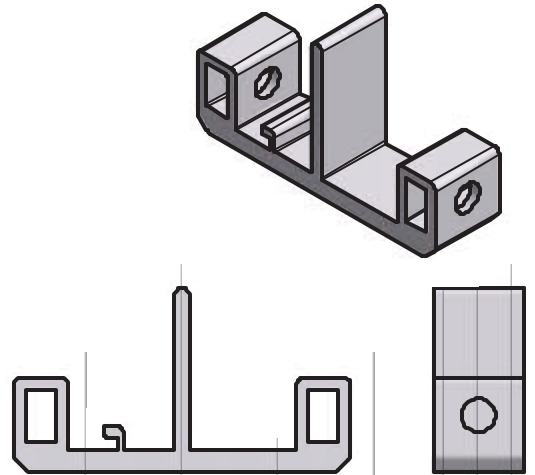
1/2 X 1 1/4 SQ. HEAD BOLT (3 REQ'D)

5



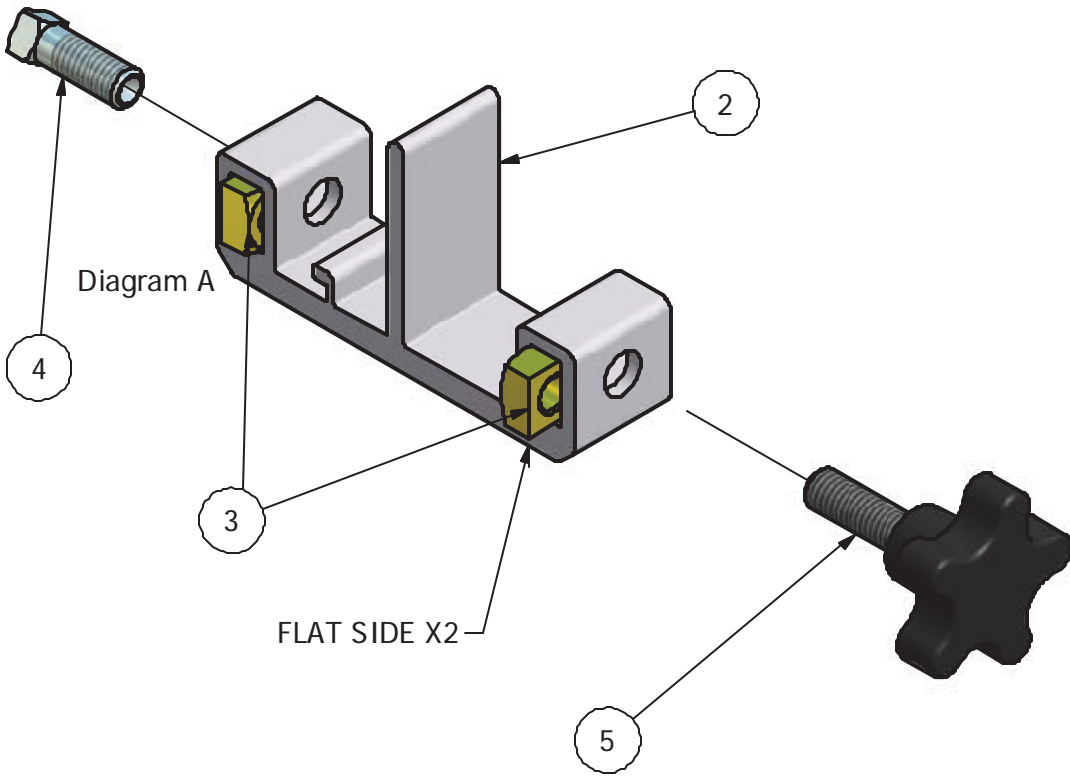
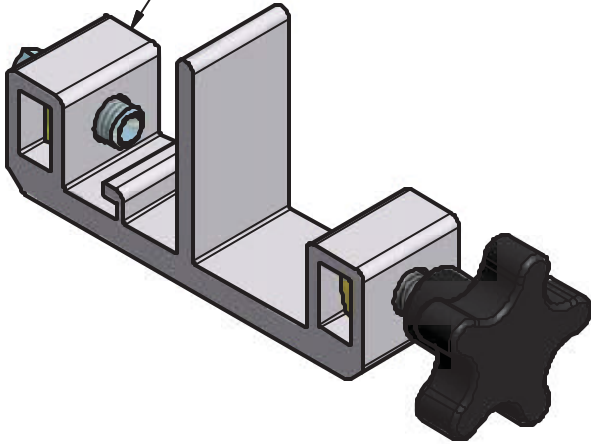
5 PRONG KNOB (3 REQ'D)

2



DOCK BRACKET (3 REQ'D)

VM-112 DOCK BRACKET



To insure your safety while assembling your Voyager product:

- Fully read and understand the assembly instructions
- Do not assemble this product if items are missing or damaged
- Wear protective gloves, clothing and eye wear when assembling this product

Installation procedure

The following tool will be needed: 9/16" wrench

1. Take connector brackets, slide square nuts into it and start set bolts to keep nuts in place. **Per diagram A.**
2. Repeat step one for other 2 brackets.
3. Take first bracket to location for corner frame, put 8" or closer (*to corner point of docks*) and put bracket on dock. Tighten one set bolt with ½" wrench. **Per diagram B.**
4. Take next bracket; measure out from corner point of docks 36" for a 4' corner frame or 48" for a 5' corner frame and tighten one set bolt with ½" wrench. **Per diagram B-1.**
5. Repeat step 4 for last bracket.
6. Set corner into brackets and tighten set screws with ½" wrench. **Per diagram D.**
7. Set deck panel into place.

