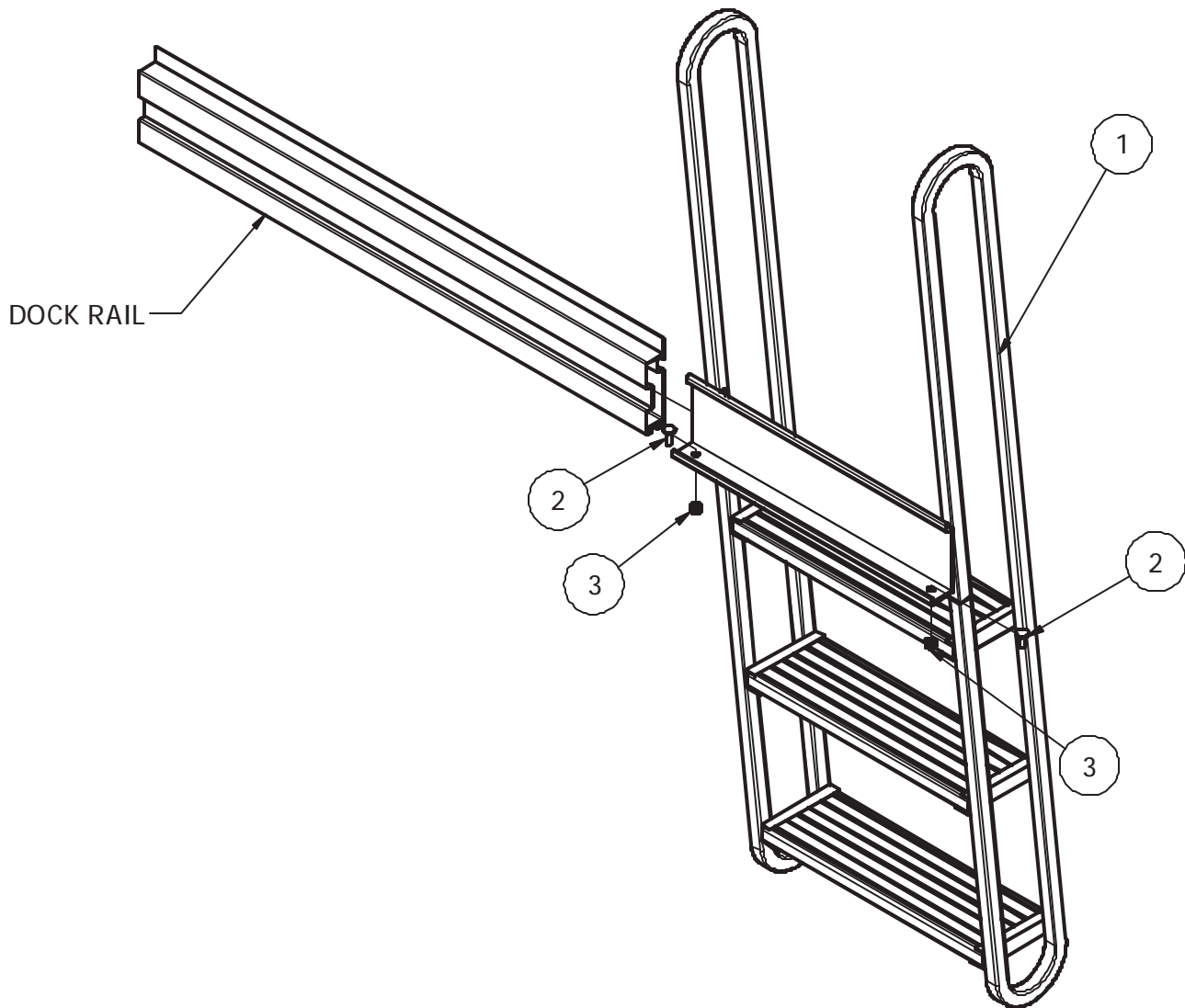




3 And 4 Step Ladder



PARTS LIST			
ITEM	QTY	PART NUMBER	DESCRIPTION
1	1	VM-013 / VM-014	LADDER FRAME
2	2	HD-00059	3-8 X 1 SS CAR
3	2	HD-00056	3/8 BRASS FLANGE NUT

To insure your safety while assembling your Voyager product:

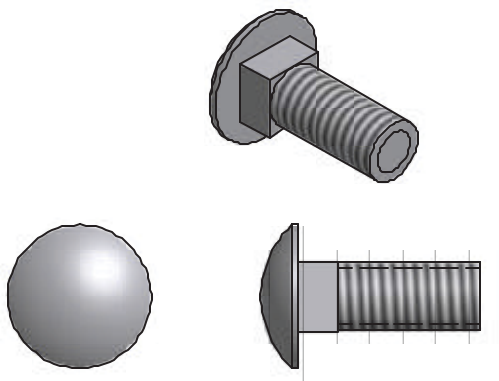
- Fully read and understand the assembly instructions
- Do not assemble this product if items are missing or damaged
- Wear protective gloves, clothing and eye wear when assembling this product

Installation procedure

The following tool will be needed: 9/16" wrench

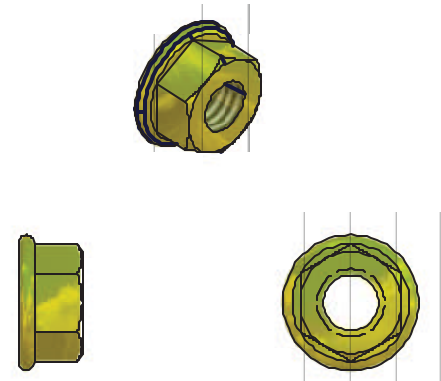
1. Insert head of carriage bolts into raceway on the underside of the rail and slide to desired location on dock. **Per diagram A.**
2. Slide ladder bracket into dock rail and put carriage bolts into bracket and attach flange nuts. **Per diagram B.**
3. Take 9/16" wrench and tighten flange nut.

2



3/8 X 1 S.S. CARRIDGE BOLT (2 REQ'D)

3



3/8 FLANGE NUT (2 REQ'D)

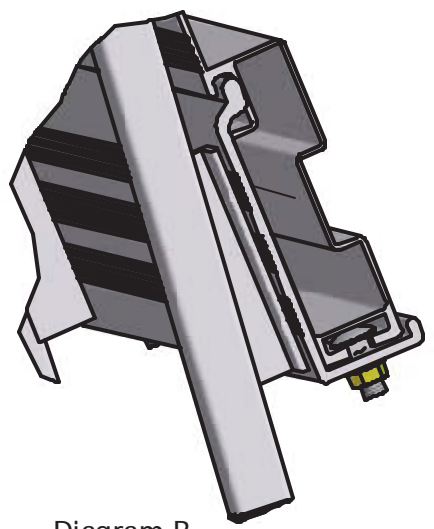


Diagram B

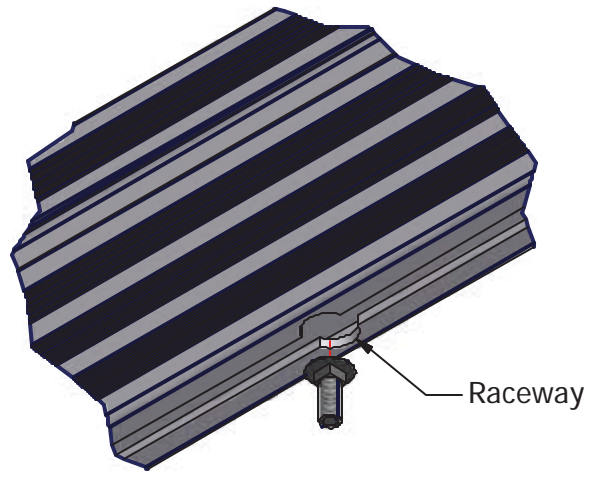


Diagram A