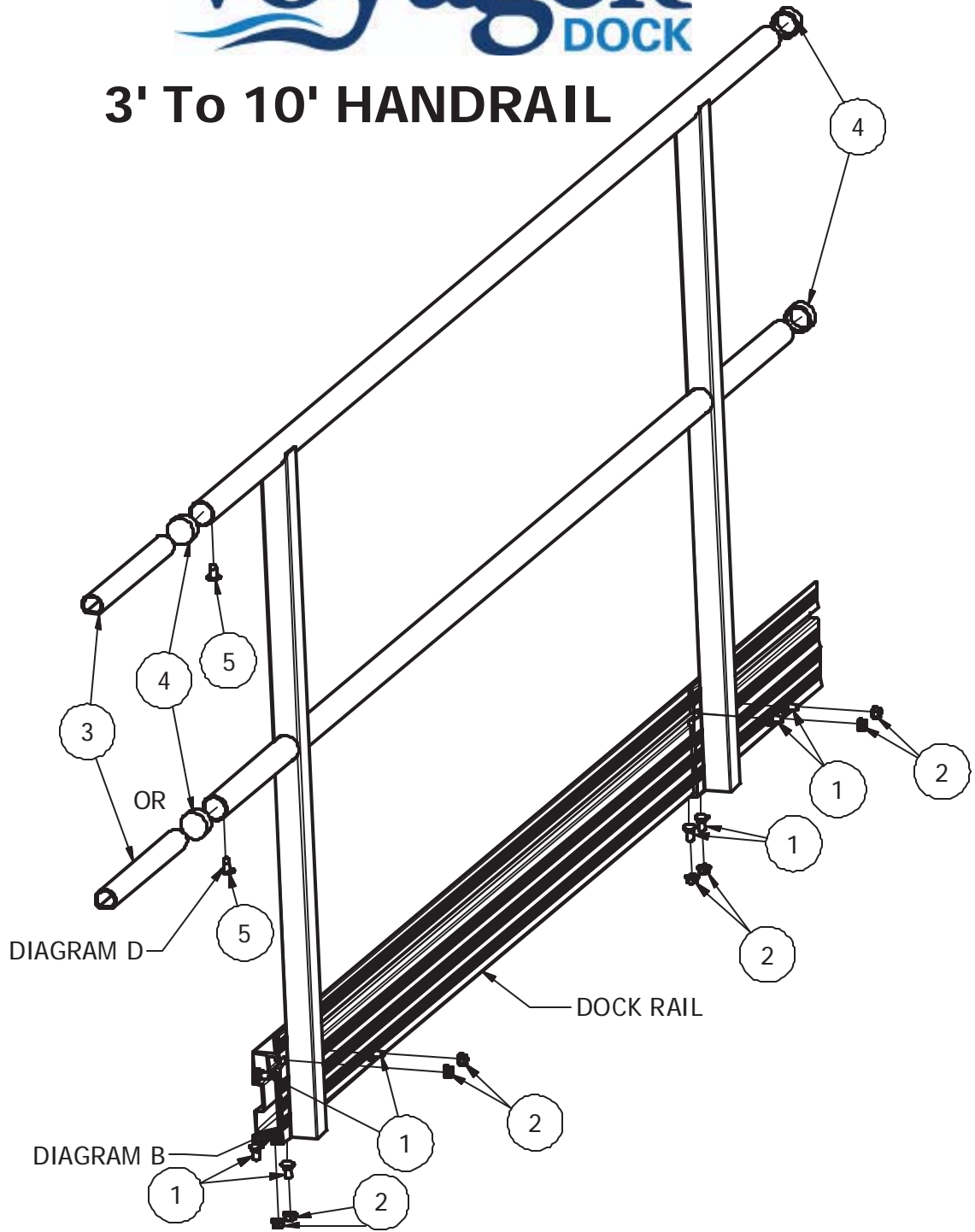
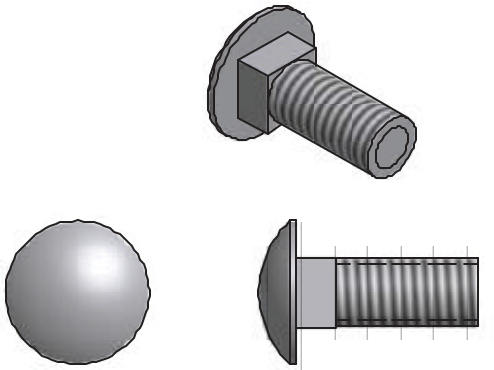


3' To 10' HANDRAIL



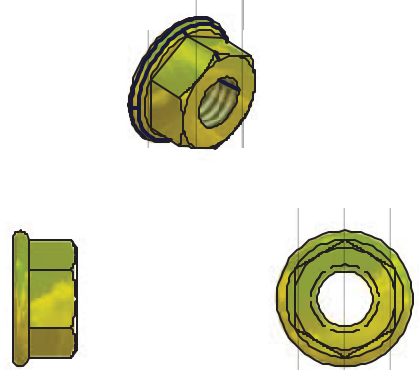
PARTS LIST			
ITEM	QTY	PART NUMBER	DESCRIPTION
1	8	HD-00059	3/8 X 1 SS CAR
2	8	HD-00056	3/8 BRASS FLANGE NUT
3	2	VM-117-03	CONN TUBE
4	4	HD-00140	CAP FOR 1 1/2" ROUND TUBE
5	4	HD-00174	#10-1 x 1" SELFTAP SCREW S/S

1



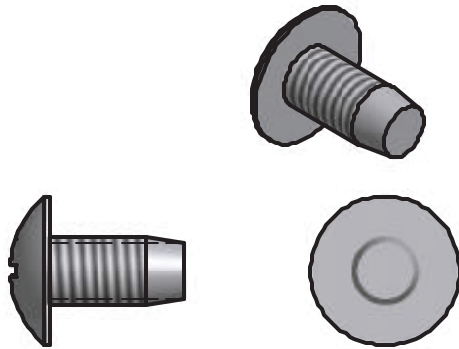
3/8 X 1 S.S. CARRIDGE BOLT (8 REQ'D)

2



3/8 FLANGE NUT BRASS (8 REQ'D)

5



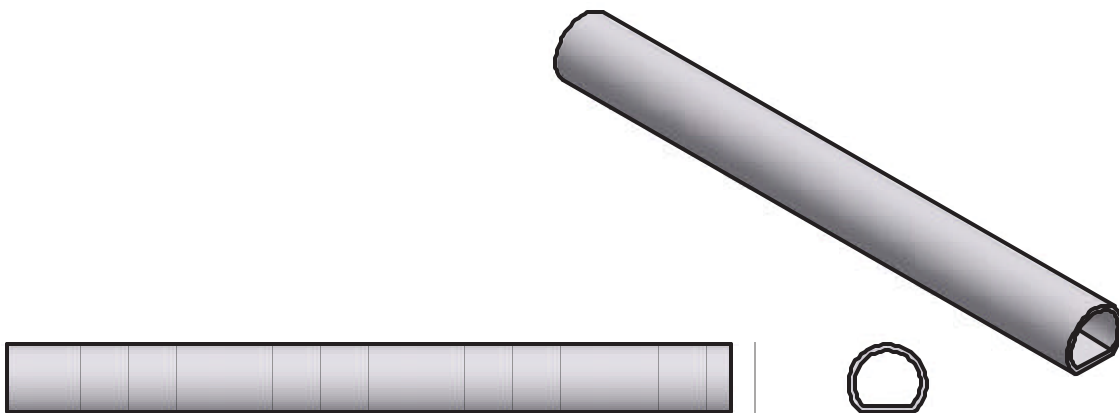
#10-1 X 1" SELFTAP SCREW S/S (4 REQ'D)

4



CAP FOR 1 1/2" ROUND TUBE (4 REQ'D)

3



CONNECTOR TUBE (2 REQ'D)

To insure your safety while assembling your Voyager product:

- Fully read and understand the assembly instructions
- Do not assemble this product if items are missing or damaged
- Wear protective gloves, clothing and eye wear when assembling this product

Installation procedure

The following tools will be needed: 9/16" wrench, (Phillips screw driver or cordless drill with Phillips bit when installing multiple handrails).

1. Insert head of carriage bolts into raceway on the underside of the dock rail and slide to desired location on dock. **Per diagram A.**
2. Slide handrail assembly into dock rail and put carriage bolts into bracket and attach flange nuts. **Per diagram B.**
3. Slide carriage bolt into the handrail bracket and attach flange nuts.
4. Take 9/16" wrench and tighten flange nut.
5. If installing single handrail attach caps onto the ends of handrail tubes. If installing multiple handrails leave caps off at this time.
6. If installing multiple handrails together insert connector tube into the one end of the upper and lower hand rail tubes of the first handrail (leave half of each connector stick out).insert self tapping screw into each handrail tube and tighten up. **Per detail C.**
7. Repeat step 1 for next handrail.
8. Slide next handrail onto dock rail and slide onto connector tubes of first handrail.
9. Repeat steps 1 & 2
10. Install self tapping screws into each handrail tube of secondhandrail to connector tube of first hand rail. **Per diagram D.**
11. Install caps onto open ends of handrail tubes.

