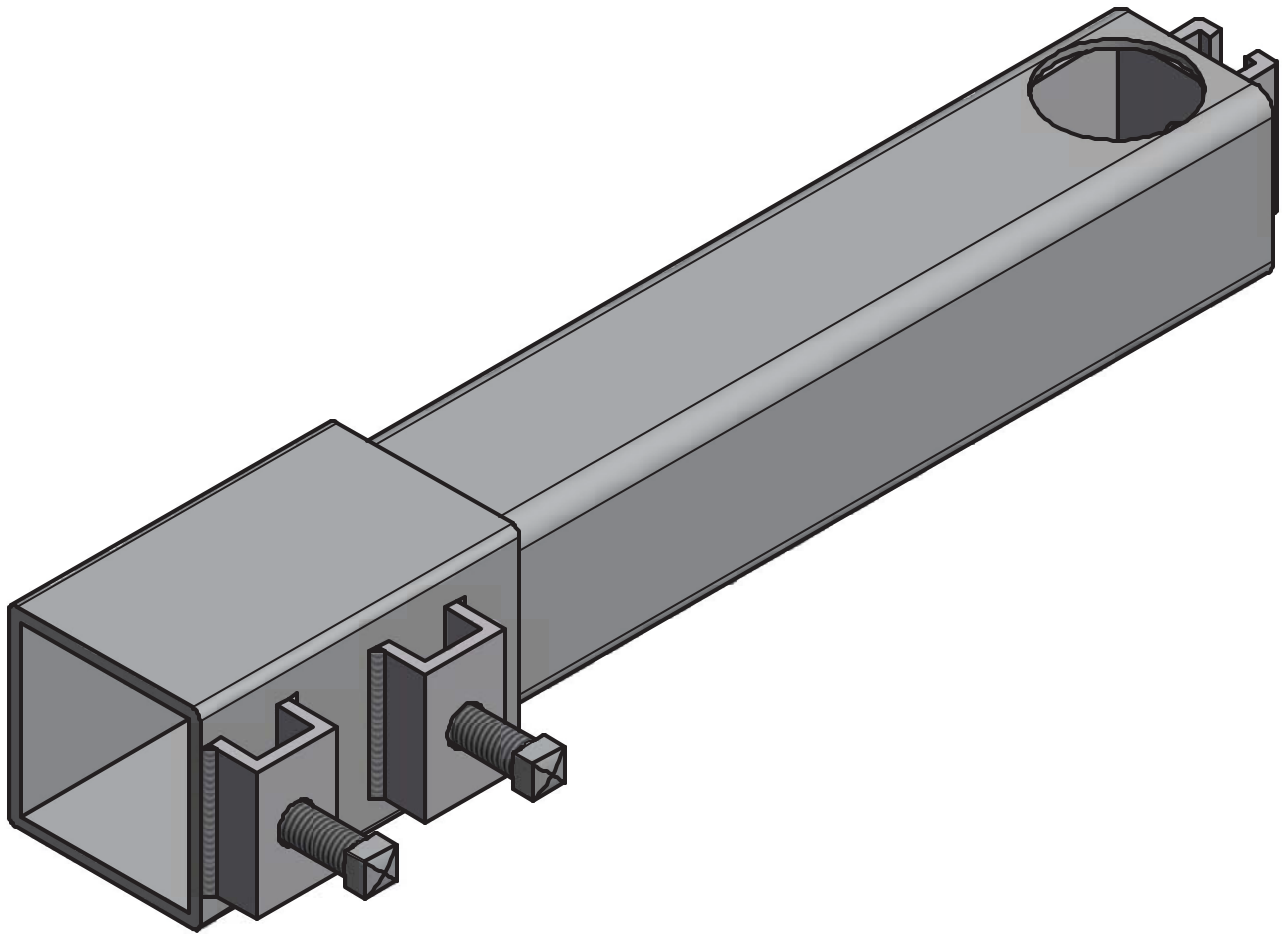


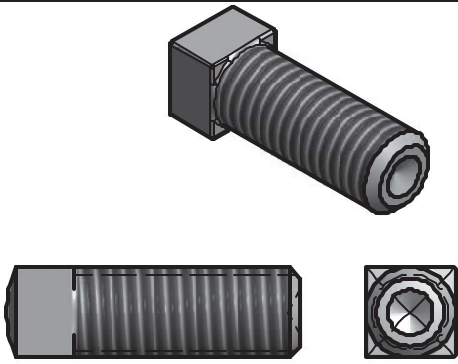


12" Screw Leg Extension



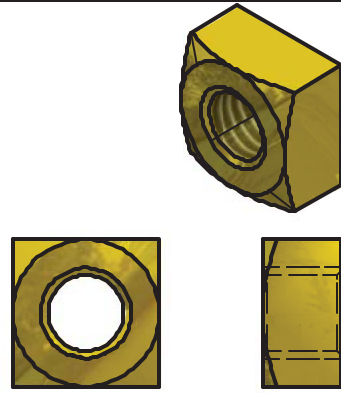
PARTS LIST			
ITEM	QTY	PART NUMBER	DESCRIPTION
1	1	VM-163-00	12" Screw Leg Extension
2	2	HD-00060	1/2-13 SQ BOLT (SS)
3	2	HD-00058	1/2-13 SQ NUT (BRASS)

2



1/2-13 SQ BOLT S/S (2 REQ'D)

3



1/2-13 SQ NUT BRASS (2 REQ'D)

To insure your safety while assembling your Voyager 12" screw leg extension:

- Fully read and understand the assembly instructions
- Do not assemble this product if items are missing or damaged
- Wear protective gloves, clothing and eye wear when assembling this product
- Check tightness of all hardware each year to avoid injury

❖ *Note: You may need assistance when raising dock up and also when lowering.*

The following tool will be needed: 1/2" wrench.

- 1) Raise wheel end of dock so wheels are off the ground and secure.
- 2) Loosen set bolt on bottom of screw leg with 1/2" wrench, remove set bolt and nut and remove stub axle and wheel. **Per diagram A.**
- 3) Install 2 square nuts into channels on 12" extension and start set bolts into them. **Per diagram B.**
- 4) Install extension onto existing screw leg and tighten set bolts, with 1/2" wrench. **Per diagram C.**
- 5) Install stub axle and tire into screw leg extension with tire on same side of screw leg as previously on dock until washer is close to screw leg (leave clearance so tire isn't tight). **Per diagram B-7.**
- 6) Install square nut into bottom of screw leg and install set bolt (use hardware taken out in step 2). Tighten with 1/2" wrench. **Per diagram B-8.**

DIAGRAM A

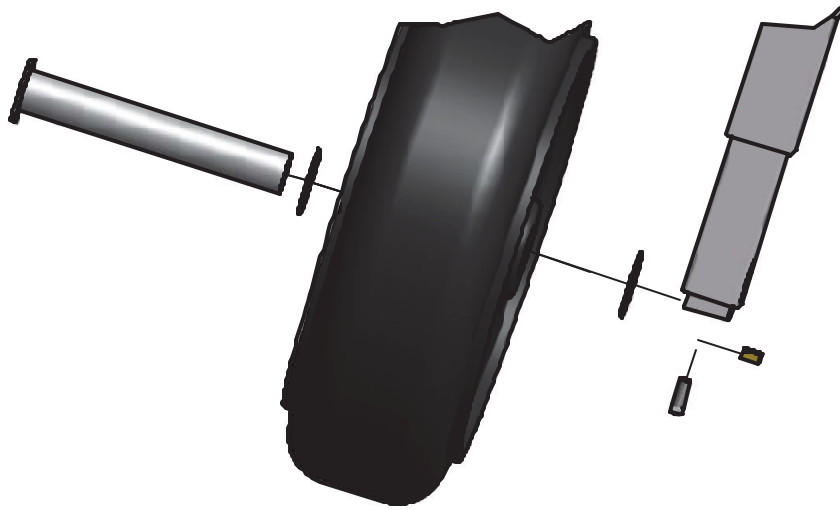


DIAGRAM B

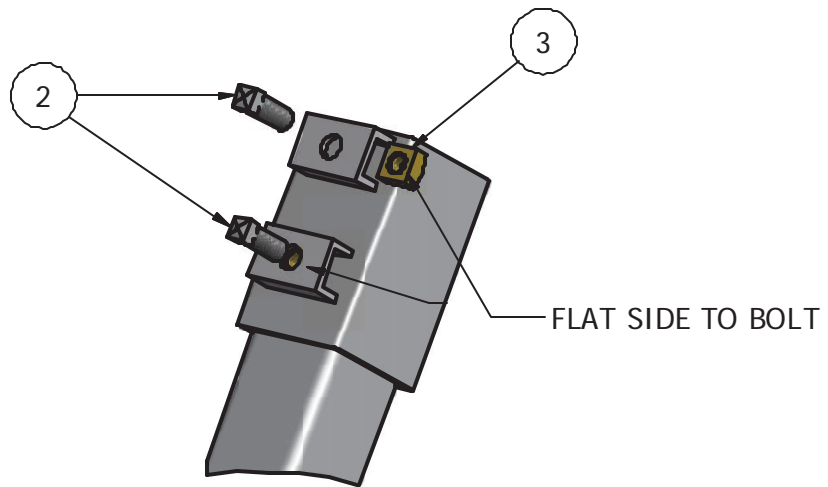


DIAGRAM C

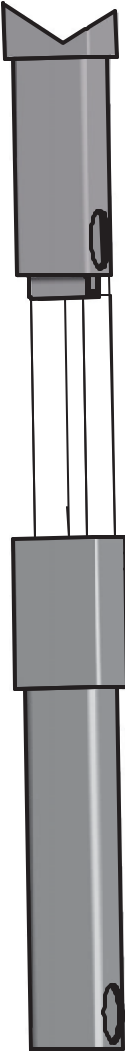


DIAGRAM B-7

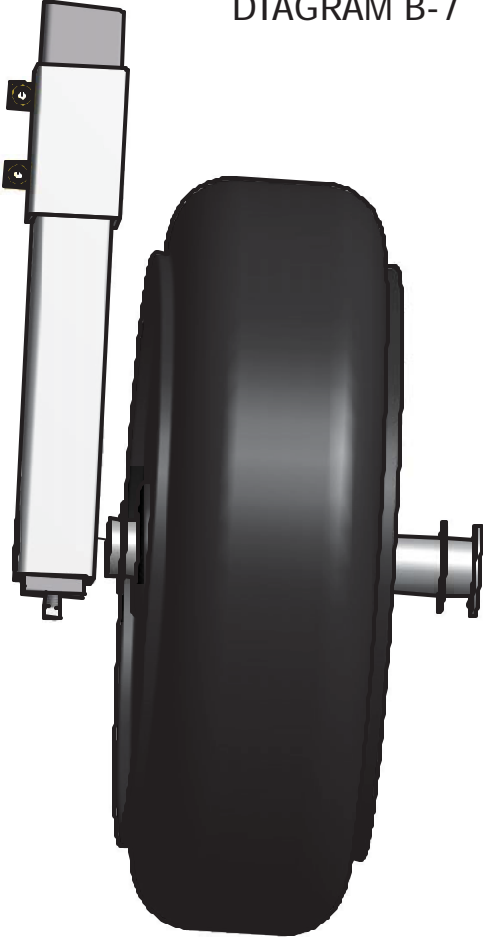


DIAGRAM B-8

