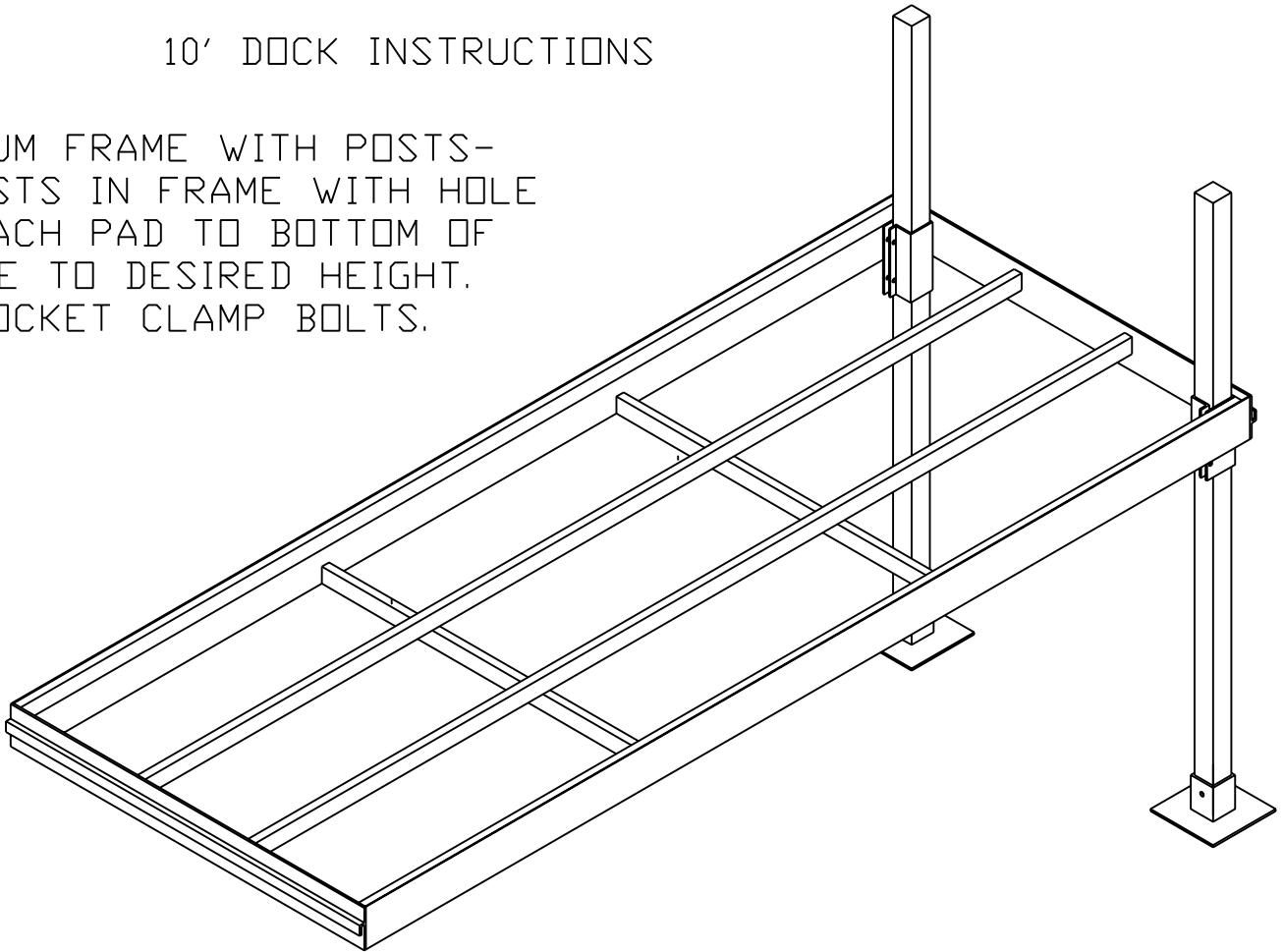
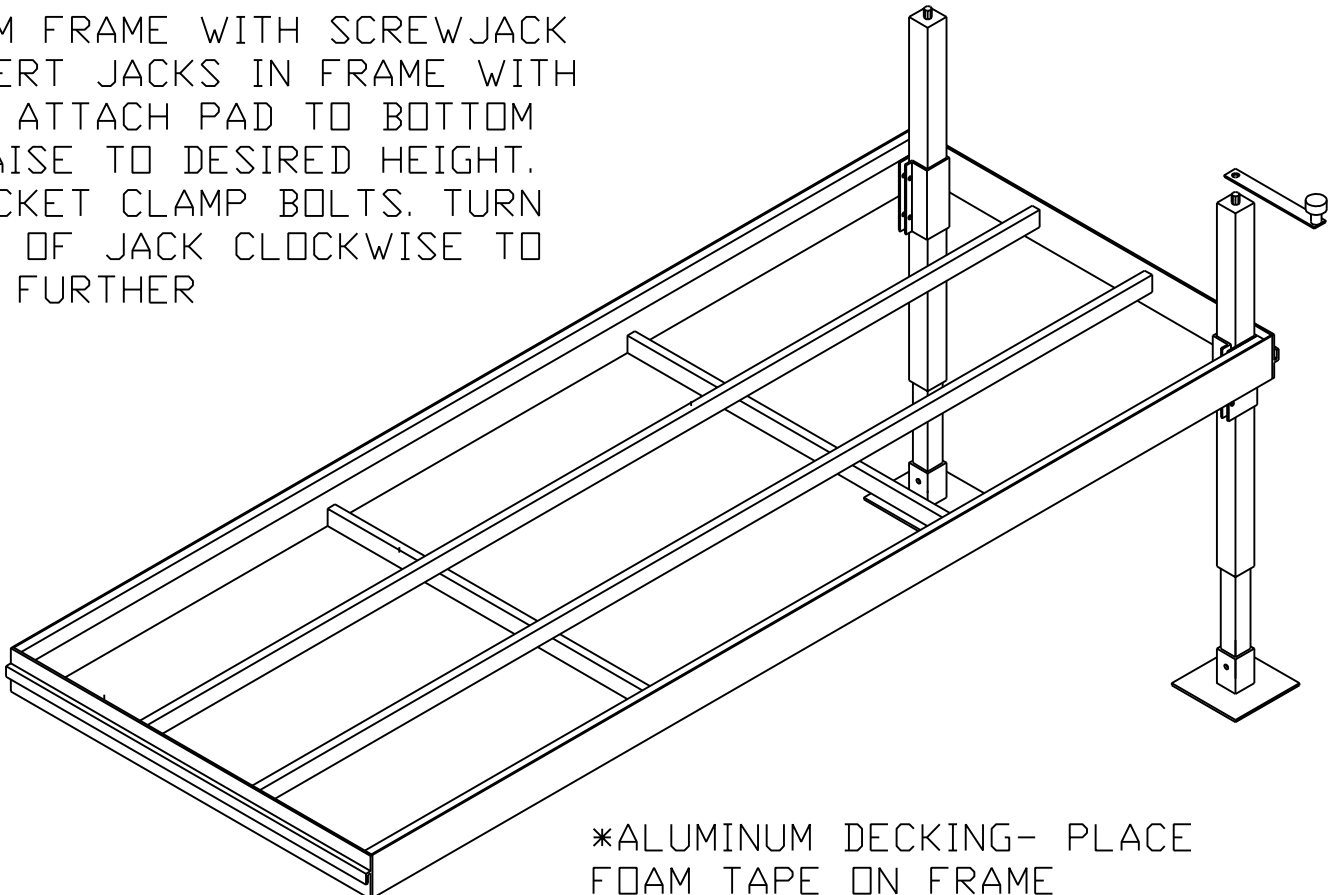


10' DOCK INSTRUCTIONS

10' ALUMINUM FRAME WITH POSTS-
INSERT POSTS IN FRAME WITH HOLE
DOWN. ATTACH PAD TO BOTTOM OF
POST. RAISE TO DESIRED HEIGHT.
TIGHTEN POCKET CLAMP BOLTS.



10' ALUMINUM FRAME WITH SCREWJACK
POSTS- INSERT JACKS IN FRAME WITH
HOLE DOWN. ATTACH PAD TO BOTTOM
OF POST. RAISE TO DESIRED HEIGHT.
TIGHTEN POCKET CLAMP BOLTS. TURN
NUT ON TOP OF JACK CLOCKWISE TO
RAISE DOCK FURTHER



*ALUMINUM DECKING- PLACE
FOAM TAPE ON FRAME
BETWEEN PANELS AND
FRAME.